

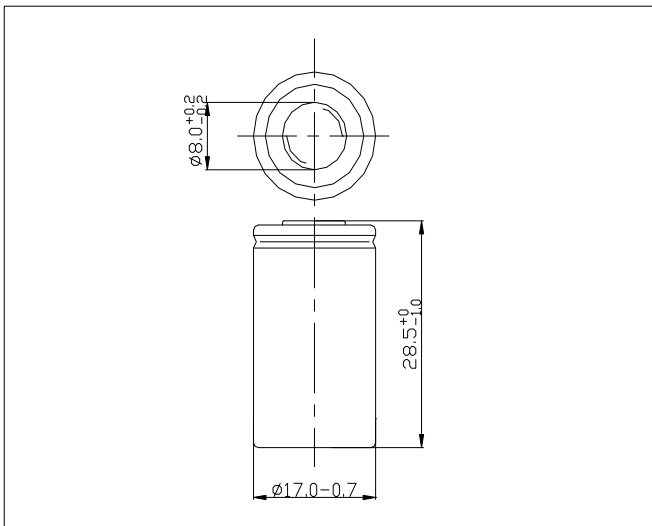
X2/3A1300

Art.-Nr. 131236

Specifications of single cell

Nominal voltage		1.2 V		
Capacity		0.2 C Discharge	10 C Discharge	
	Minimum	270 min	4.7 min	
	Typical	280 min	5.1 min	
Dimensions		mm		
	Diameter	17.0 ^{-0.7}		
	Height	28.5 ^{-1.0}		
Weight (approximately)		Gram		
		20		
Internal Impedance at 1000 Hz		10 mΩ (max) (After Charge)		
Charge	Standard	130 mA (0.1 C) x 15 hrs		
	Rapid	1300 mA (1.0 C) x 1.05 hrs		
Ambient temperature	Charge	°C		
		Standard	0°C to 45°C	
		Rapid	0°C to 40°C	
	Discharge		-20°C to 50°C	
	Storage		-20°C to 40°C	

PVC (dimensions with tube) (mm)

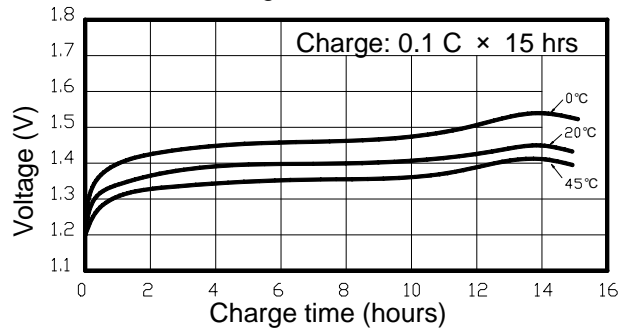


Note:

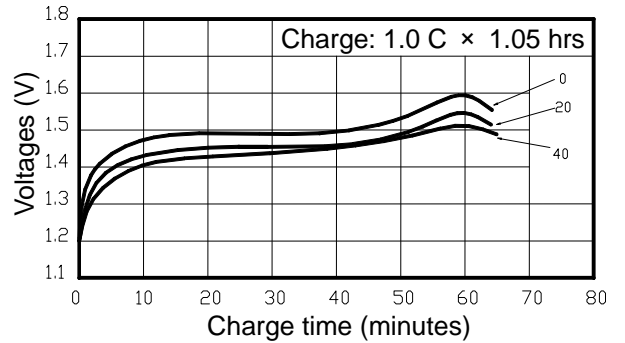
1. Nominal capacity, rated at 0.2 C 20°C.
2. Average capacity, for reference only.
3. Weight and internal impedance are for reference.
4. Standard according as IEC of test cycle life.

Typical characteristics

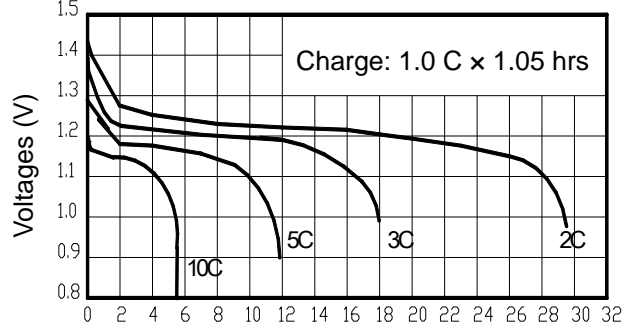
Standard charge characteristics



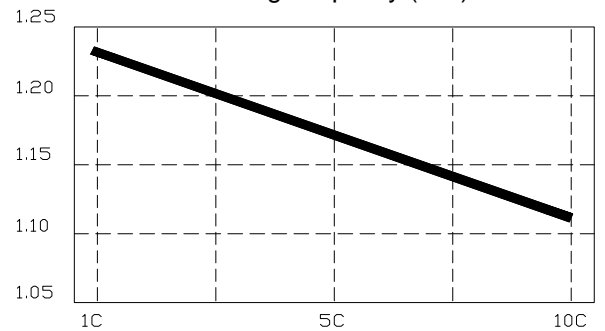
Rapid charge characteristics



Discharge characteristics



MPV(⟨V⟩) Discharge capacity (min)



Charge retention curves of Ni-MH cylindrical cell at various storage temperature

