



TLI-1520A

- RECHARGEABLE
- Up to 5000 cycles
- Extremely low self discharge rate
- Charging possible at extreme temperatures

Performance Data

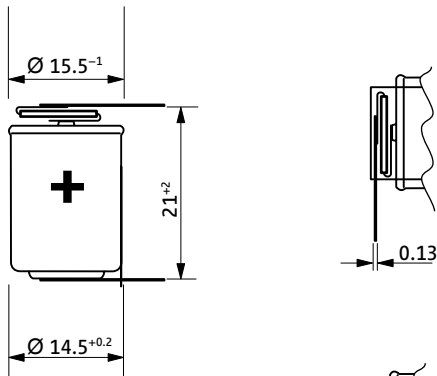
(Typical values for batteries stored at +25 °C for one year)

System	Lithium Intercalated Compounds	
Nominal voltage	4 V	
Max. capacity	90 mAh	
Max. continuous discharge current	500 mA	
Pulse current capability	1.25 A	
Discharge end voltage	2.5 V	
Max. charge voltage	4.1 V	
Max. charge current	25 mA	5 mA
Temperature range	-20 °C ... +50 °C	-40 °C ... +85 °C
Cell impedance @ 1 kHz, RT	max. 250 mΩ	
Nominal energy	0.3 Wh	
Weight	9 g	

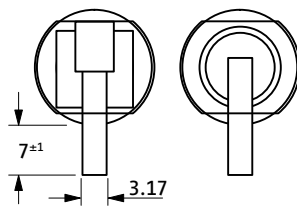
For more information please refer to page 48.



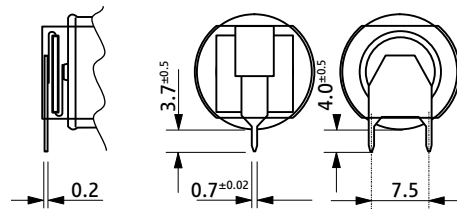
TLI-1520A/Z2



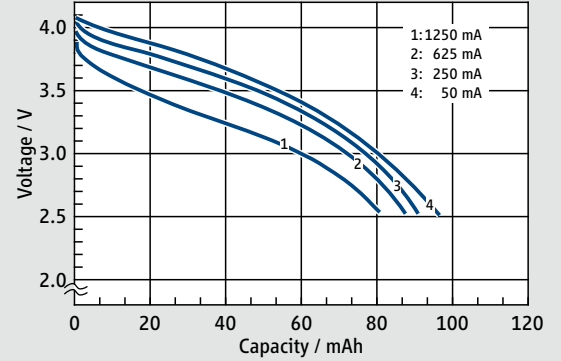
TLI-1520A/Z2/T



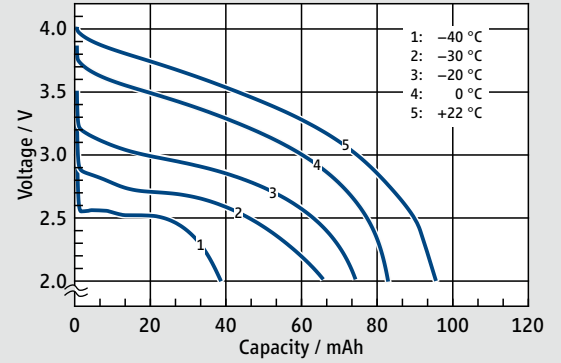
TLI-1520A/Z2/TP



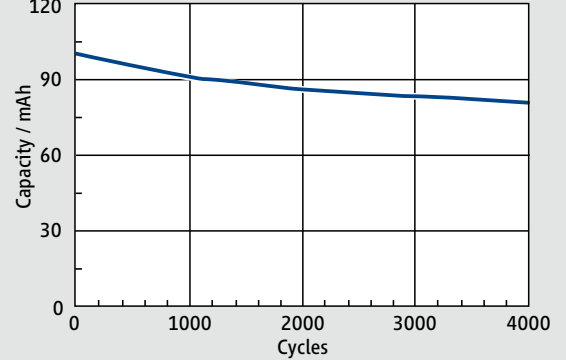
Discharge Curve at 25 °C



Discharge Curve at 500 mA



Cycling Performance



Available Terminations

TLI-1520A/Z2/T	Tags*	Catalogue No.
TLI-1520A/Z2/TP	Polarized tags*	13 3 11522 02
	* with PTC SRP 200	13 3 11527 02

Warning:
 Fire, explosion,
 and severe burn hazards.
 Do not disassemble, heat
 above 100 °C, short circuit,
 incinerate or expose
 contents to water.

Do not charge above 4.1 V.
 Please refer to TLI-guidelines.