

## Model 2420

70 w max out • 90-264 VAC input

- Short circuit proof
- Overvoltage protection
- Eco-design (ERP-directive) compliant
- Waterproof (IP67) version available
- Custom specifications on request
- Approvals:
  - Medically certified:
    - Safety: EN 60601-1 ed. 3.1
    - EMC: EN 60601-1-2 ed. 4
  - UL approved

### Notes:

Desktop  
90-264V  
2-pin IEC 60320  
Exchangeable DC plugs available  
Mounting bracket available  
Order plugs and mains cord separately



### Available versions

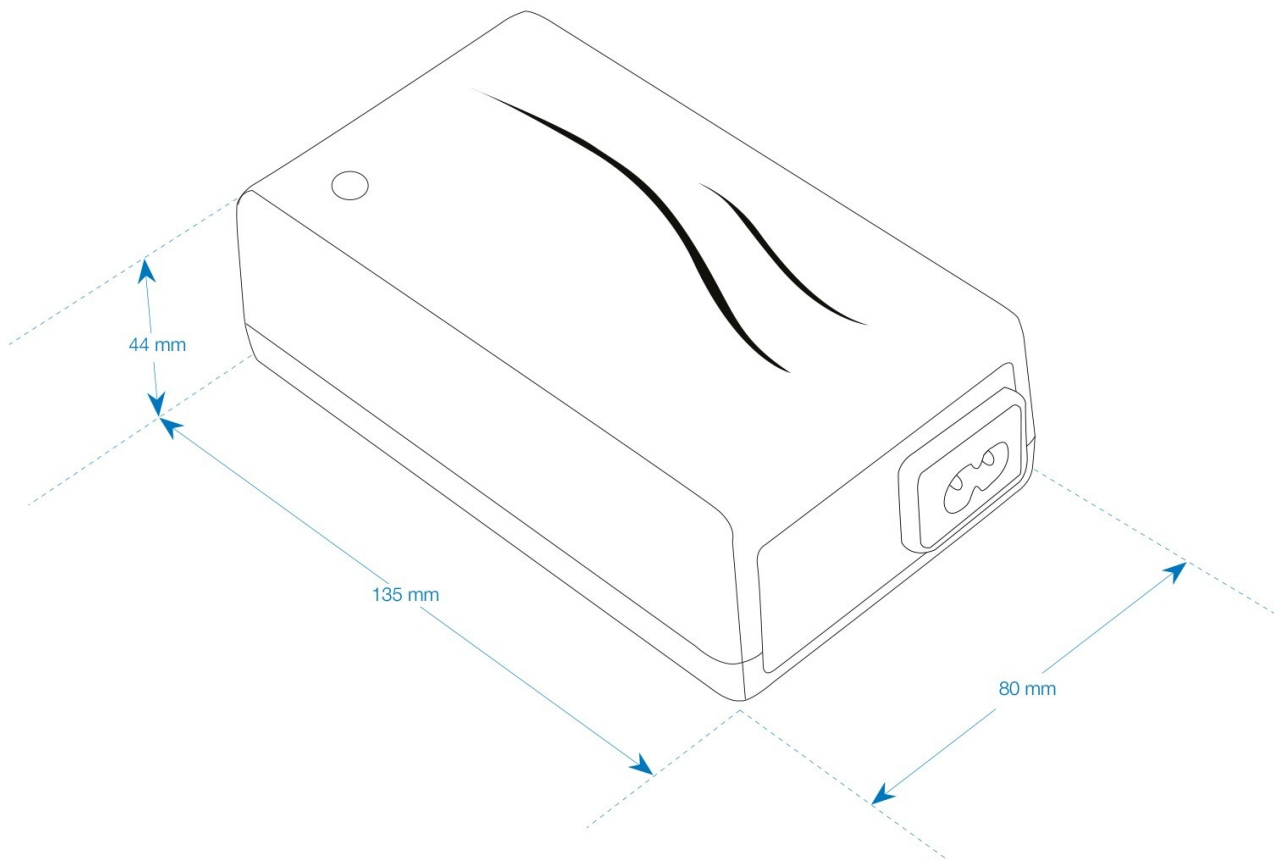
5V / 4,5A	7V / 4,5A	12V / 4,5A
16V / 4-3,3A	24V / 2,5-2,05A	
36V / 2,05-1,6A	48V / 1,6-1,25A	
60V / 1,25-1,1A	64V / 1,1-1A	

SPECIFICATIONS FOR TYPE 2420:	PSU versions					
	5V	7V	12V	16V	24V	36V
Input voltage:	90 - 264VAC	90 - 264VAC	90 - 264VAC	90 - 264VAC	90 - 264VAC	90 - 264VAC
Line frequency:	47 - 63Hz	47 - 63Hz	47 - 63Hz	47 - 63Hz	47 - 63Hz	47 - 63Hz
Output voltage: (Available within range on request)	4 - 6V	6 - 9V	9 - 14.5V	14.5 - 21V	21 - 34V	34 - 44V
Max output power:	27W	41W	55W	69W	70W	70W
Min. output current:	0A	0A	0A	0A	0A	0A
Max. output current: (Available within range on request)	4.5A	4.5A	4.5A	4.0A - 3.3A	2.5A - 2.05A	2.05A - 1.6A
Load regulation (0 - 100% load. Measured on pcb):	< 1%	< 1%	< 1%	< 1%	< 1%	< 1%
Mains regulation: (Mains variation: 90 - 264V, 100% load)	< 0,5%	< 0,5%	< 0,5%	< 0,5%	< 0,5%	< 0,5%
Ripple:	< 100mV p-p	< 100mV p-p	< 100mV p-p	< 100mV p-p	< 100mV p-p	< 100mV p-p
Efficiency (at 100% load, 230V) approx.:	>69%	>70%	>81%	>83%	>85%	>85%
Switch frequency approx.:	40kHz	40kHz	40kHz	40kHz	40kHz	40kHz
Overshoot (90 - 10% load variation):	< 200mV	< 200mV	< 200mV	< 200mV	< 100mV	< 100mV
Undershoot (10 - 90% load variation): Measured on pcb	< 250mV	< 250mV	< 250mV	< 250mV	< 250mV	< 125mV
Hold up time:	> 20ms	> 20ms	> 20ms	> 20ms	> 20ms	> 20ms
Temperature range: *Operating: *With derating: *Storage:	+25 til +40°C +60°C +25 til +85°C					
Derating:	1.2 W/°C over 40°C					
Safety:	IT Equipment EN 60950-1 / Medical EN 60601-1 / Home Healthcare EN 60601-1-11					
Insulation class :	Class II. (Class I on request)					
Insulation voltage: Primary – secondary:	4000VAC / 5700VDC					
EMC standards:	Medical EN 60601-1-2 / Emission EN 61000-6-3 / Immunity EN 61000-6-1					
MTBF at Ta = 30oC and full load: Calculated according to MIL – HDBK – 217F	>100 000 hours					
IP-degree	IP4X (IP67 on request).					
Input terminal	2-pins IEC 60320/C8 connector. (3-pins IEC 60320/C14 connector or non-detachable mains cord on request)					
Output terminals:	Cord with/without plug. Exchangeable plugs available.					
Dimensions:	135 x 80 x 44mm					
Weight:	390g (890g IP67 version)					

SPECIFICATIONS FOR TYPE 2420:	PSU versions (On request)		
	48V	60V	64V
Input voltage:	90 - 264VAC	90 - 264VAC	90 - 264VAC
Line frequency:	47 - 63Hz	47 - 63Hz	47 - 63Hz
Output voltage: (Available within range on request)	44 - 55V	55 - 63V	63 - 67V
Max output power:	72W	69W	67W
Min. output current:	0A	0A	0A
Max. output current:(Available within range on request)	1.6A – 1.25A	1.25A – 1.1A	1.1A – 1.0A
Load regulation (0 - 100% load. Measured on pcb):	< 1%	< 1%	< 1%
Mains regulation: (Mains variation: 90 - 264V, 100% load)	< 0,5%	< 0,5%	< 0,5%
Ripple:	< 100mV p-p	< 100mV p-p	< 100mV p-p
Efficiency (at 100% load, 230V) approx.:	>87%	>87%	>87%
Switch frequency approx.:	40kHz	40kHz	40kHz
Overshoot (90 - 10% load variation):	< 200mV	< 200mV	< 200mV
Undershoot (10 - 90% load variation): Measured on pcb	< 250mV	< 250mV	< 250mV
Hold up time:	> 20ms	> 20ms	> 20ms
Temperature range: *Operating: *With derating: *Storage:	+25 til +40°C +60°C +25 til +85°C		
Derating:	1.2 W/°C over 40°C		
Safety:	IT Equipment EN 60950-1 / Medical EN 60601-1 / Home Healthcare EN 60601-1-11		
Insulation class :	Class II. (Class I on request)		
Insulation voltage: Primary – secondary:	4000VAC / 5700VDC		
EMC standards:	Medical EN 60601-1-2 / Emission EN 61000-6-3 / Immunity EN 61000-6-1		
MTBF at Ta = 30oC and full load: Calculated according to MIL – HDBK – 217F	>100 000 hours		
IP-degree	IP4X (IP67 on request).		
Input terminal	2-pins IEC 60320/C8 connector. (3-pins IEC 60320/C14 connector or non-detachable mains cord on request)		
Output terminals:	Cord with/without plug. Exchangeable plugs available.		
Dimensions:	135 x 80 x 44mm		
Weight:	390g (890g IP67 version)		

SPECIFICATIONS FOR TYPE 2420:	PSU versions					
	5V	7V	12V	16V	24V	36V
Input voltage:	90 - 264VAC	90 - 264VAC	90 - 264VAC	90 - 264VAC	90 - 264VAC	90 - 264VAC
Line frequency:	47 - 63Hz	47 - 63Hz	47 - 63Hz	47 - 63Hz	47 - 63Hz	47 - 63Hz
Output voltage:	4 - 6V	6 - 9V	9 - 14.5V	14.5 - 21V	21 - 34V	34 - 44V
Max output power:	27W	41W	55W	69W	70W	70W
Min. output current:	0A	0A	0A	0A	0A	0A
Max. output current:	4.5A	4.5A	4.5A	4.0A - 3.3A	2.5A - 2.05A	2.05A - 1.6A
Load regulation (0 - 100% load. Measured on pcb):	< 1%	< 1%	< 1%	< 1%	< 1%	< 1%
Mains regulation: (Mains variation: 90 - 264V, 100% load)	< 0,5%	< 0,5%	< 0,5%	< 0,5%	< 0,5%	< 0,5%
Ripple:	< 100mV p-p	< 100mV p-p	< 100mV p-p	< 100mV p-p	< 100mV p-p	< 100mV p-p
Efficiency (at 100% load, 230V) approx.:	>69%	>70%	>81%	>83%	>85%	>85%
Switch frequency approx.:	40kHz	40kHz	40kHz	40kHz	40kHz	40kHz
Overshoot (90 - 10% load variation):	< 200mV	< 200mV	< 200mV	< 200mV	< 100mV	< 100mV
Undershoot (10 - 90% load variation): Measured on pcb	< 250mV	< 250mV	< 250mV	< 250mV	< 250mV	< 125mV
Hold up time:	> 20ms	> 20ms	> 20ms	> 20ms	> 20ms	> 20ms
Temperature range: *Operating: *With derating: *Storage:	+25 til +40°C +60°C +25 til +85°C					
Derating:	1.2 W/°C over 40°C					
Safety:	IT Equipment EN 60950-1 / Medical EN 60601-1 / Home Healthcare EN 60601-1-11					
Insulation class :	Class II. (Class I on request)					
Insulation voltage: Primary – secondary:	4000VAC / 5700VDC					
EMC standards:	Medical EN 60601-1-2 / Emission EN 61000-6-3 / Immunity EN 61000-6-1					
MTBF at Ta = 30oC and full load: Calculated according to MIL – HDBK – 217F	>100 000 hours					
IP-degree	IP4X (IP67 on request).					
Input terminal	2-pins IEC 60320/C8 connector. (3-pins IEC 60320/C14 connector or non-detachable mains cord on request)					
Output terminals:	Cord with/without plug. Exchangeable plugs available.					
Dimensions:	135 x 80 x 44mm					
Weight:	390g (890g IP67 version)					

SPECIFICATIONS FOR TYPE 2420:	PSU versions (On request)		
	48V	60V	64V
Input voltage:	90 - 264VAC	90 - 264VAC	90 - 264VAC
Line frequency:	47 - 63Hz	47 - 63Hz	47 - 63Hz
Output voltage:	44 - 55V	55 - 63V	63 - 67V
Max output power:	72W	69W	67W
Min. output current:	0A	0A	0A
Max. output current:	1.6A – 1.25A	1.25A – 1.1A	1.1A – 1.0A
Load regulation (0 - 100% load. Measured on pcb):	< 1%	< 1%	< 1%
Mains regulation: (Mains variation: 90 - 264V, 100% load)	< 0,5%	< 0,5%	< 0,5%
Ripple:	< 100mV p-p	< 100mV p-p	< 100mV p-p
Efficiency (at 100% load, 230V) approx.:	>87%	>87%	>87%
Switch frequency approx.:	40kHz	40kHz	40kHz
Overshoot (90 - 10% load variation):	< 200mV	< 200mV	< 200mV
Undershoot (10 - 90% load variation): Measured on pcb	< 250mV	< 250mV	< 250mV
Hold up time:	> 20ms	> 20ms	> 20ms
Temperature range: *Operating: *With derating: *Storage:	+25 til +40°C +60°C +25 til +85°C		
Derating:	1.2 W/°C over 40°C		
Safety:	IT Equipment EN 60950-1 / Medical EN 60601-1 / Home Healthcare EN 60601-1-11		
Insulation class :	Class II. (Class I on request)		
Insulation voltage: Primary – secondary:	4000VAC / 5700VDC		
EMC standards:	Medical EN 60601-1-2 / Emission EN 61000-6-3 / Immunity EN 61000-6-1		
MTBF at Ta = 30oC and full load: Calculated according to MIL – HDBK – 217F	>100 000 hours		
IP-degree	IP4X (IP67 on request).		
Input terminal	2-pins IEC 60320/C8 connector. (3-pins IEC 60320/C14 connector or non-detachable mains cord on request)		
Output terminals:	Cord with/without plug. Exchangeable plugs available.		
Dimensions:	135 x 80 x 44mm		
Weight:	390g (890g IP67 version)		



## Mounting brackets

### TYPE 201970

1 mounting bracket per unit  
*Available separately*

