



ALKALINE BATTERY NX-POWER TECH

PILE ALCALINE NX-POWER TECH

Une marque d'UP ENERGY

MAIN INFORMATION / INFORMATIONS GÉNÉRALES

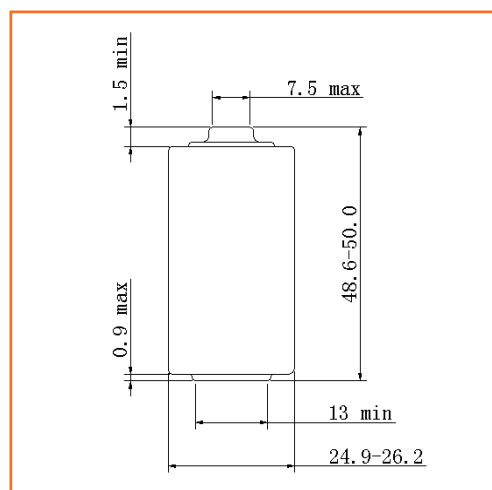
SIZE	FORMAT	LR14 - C
BRAND NAME	MARQUE	NX
TECHNOLOGY	TECHNOLOGIE	Alkaline / Alcaline
CHEMICAL SYSTEM	SYSTÈME CHIMIQUE	Zn/MnO ₂
VOLTAGE	TENSION	1.5V
CAPACITY	CAPACITÉ	9300mAh
WEIGHT	POIDS	70 Gr.
SHELF LIFE*	DURÉE DE VIE*	5 years / 5 ans
OPERATING TEMPERATURE RANGE	PLAGE DE TEMPÉRATURE	-18°C / +50°C
STORAGE TEMPERATURE RANGE	PLAGE DE TEMPÉRATURE DE STOCKAGE	10°C / +25°C
TERMINALS	SORTIE	Flat/Plot pile
PACKING	CONDITIONNEMENT	Box of 10 / Boîte de 10

*In consideration of typical loss of capacity at storage. *Dans les conditions normales de stockage.

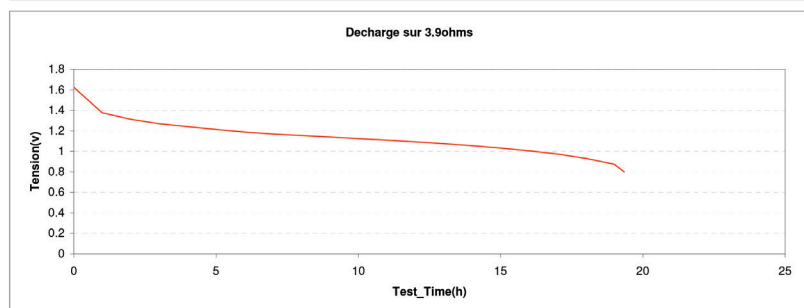
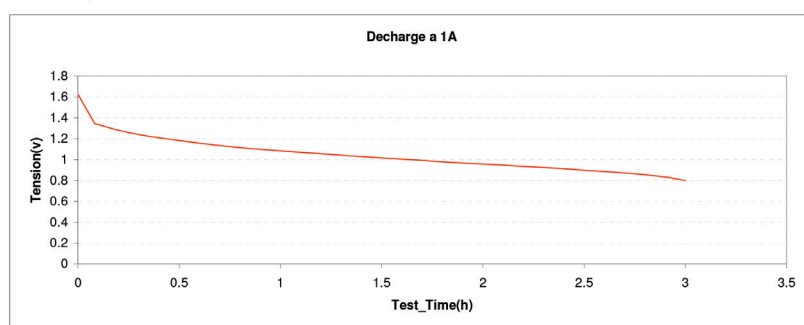


DIMENSIONS / DIMENSIONS

A	48.6 to 50mm
Ø	24.9 to 26.2mm
C	13mm
F	7.5mm
G	1.5mm



DISCHARGE DIAGRAM / COURBES DE DÉCHARGE



www.enix-energies.com • Date: 2023-04-17



1 / 1

OUTLINE SAFETY WARNING: USE ONLY WITH IN THE ALLOWED PARAMETERS. Do not short circuit or over-load the battery. Charge only using an approved charger designed specifically to charge this battery. Do not heat above maximum temperatures indicated. Never crush, mutilate, puncture or abuse the battery. Do not dismantle the pack or disable any of the protective devices or circuits. DO NOT USE THE BATTERY IF YOU SUSPECT IT MAY BE FAULTY OR DAMAGED.

© Copyright Enix Energies 2005. NB: This document and the product design are the intellectual property of Enix Energies. No document or design may be copied or used for commercial purposes without written permission of Enix Energies. Users must satisfy themselves, by means of testing etc, that products are suitable for their application. Data in this document is for general guidance only; consult cell manufacturers data for definitive information. Information is given free of charge and in good faith, but no responsibility can be accepted for any errors or omission or costs or losses or liabilities arising from the use of this information. All business is conducted to Enix Energies terms and conditions only.