



ALARM BATTERY LITHIUM 3.6V / 5.8Ah

BATTERIE SYSTEME ALARME LITHIUM 3.6V / 5.8Ah

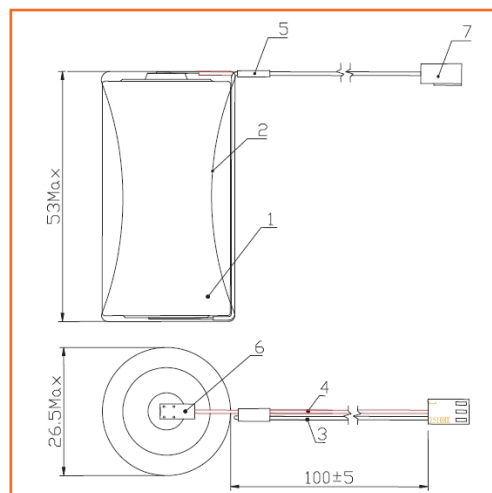
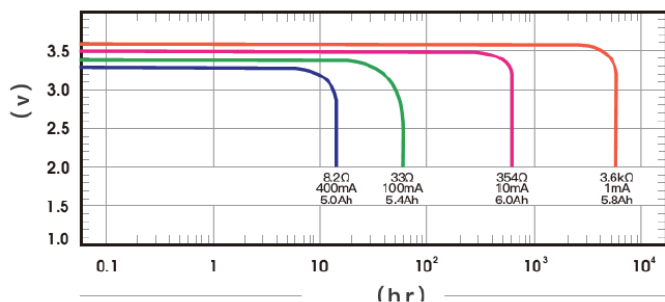
MAIN INFORMATION / INFORMATIONS GÉNÉRALES

BRAND NAME	MARQUE	NX
TECHNOLOGY	TECHNOLOGIE	Lithium
TYPE	TYPE	BATLI01
NOMINAL VOLTAGE*	TENSION NOMINALE*	3.6V
NOMINAL CAPACITY*	CAPACITE NOMINALE*	5.8 Ah
MAX CONTINUOUS DISCHARGE CURRENT	COURANT DE DECHARGE MAX	100mA
PULSE CURRENT CAPABILITY	COURANT IMPULSION MAX	2000mA
WEIGHT	POIDS	62g
OPERATING TEMPERATURE	TEMPÉRATURE D'UTILISATION	-55 TO 85°C

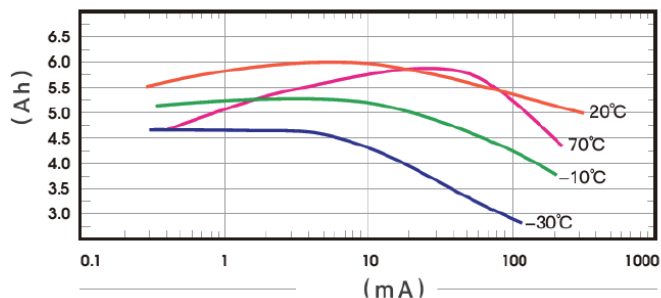


CHARGE / DISCHARGE CURVES COURBES DE CHARGE / DÉCHARGE

Discharge characteristics of different loads at room temperature



Different discharge current and discharge capacity characteristics



Characteristics of voltage platform at different temperatures

